



■ Main Features

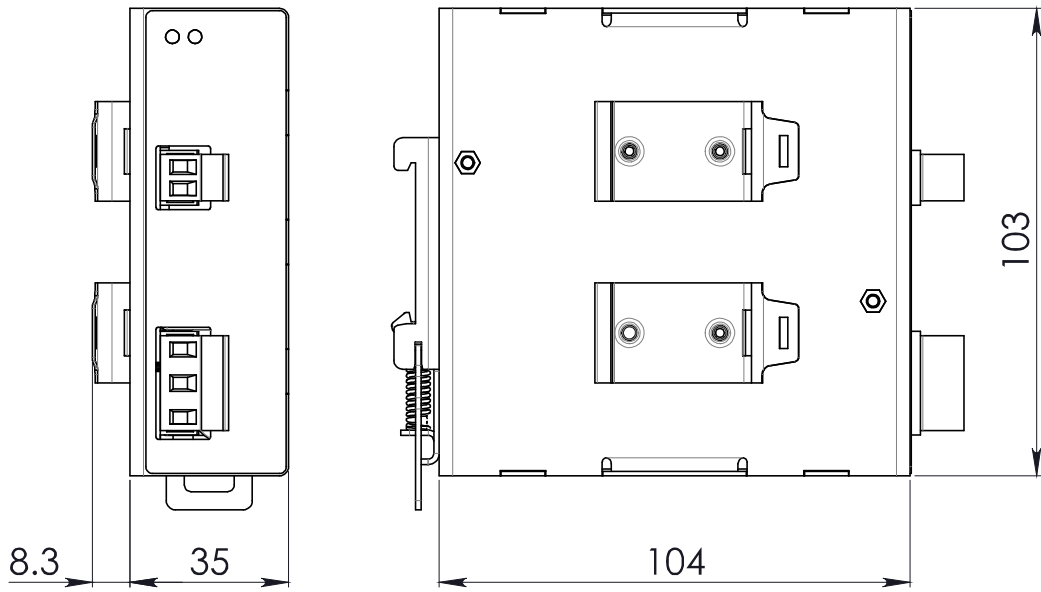
- ⌋ High efficiency and extremely compact size
- ⌋ Only 35mm width aluminum enclosure
- ⌋ Active PFC
- ⌋ Overload 125%
- ⌋ High operating temperature with no derating

TECHNICAL DATA

Model type	MEPS150-24	
OUTPUT DATA		
Rated voltage	24Vdc	
Adj. output voltage range	24Vdc Fixed	
Continuous current	6.0A	
Overload limit	7.5A	
Load regulation	≤ 1%	
Ripple & Noise ¹	≤ 50mVpp	
Hold up time Vin = 120Vac	≥ 20ms	
Vin = 240Vac	≥ 30ms	
Protections	<ul style="list-style-type: none"> ▪ Overload, short circuit: with Constant current ▪ Thermal protection ▪ Input undervoltage lockout ▪ Output overvoltage 	
Output overvoltage protection	≥ 33Vdc	
Status Signals	<ul style="list-style-type: none"> ▪ DC OK - green LED ▪ OVERLOAD - red LED 	
Parallel connection	Possible for power or redundancy (with external ORing module)	
INPUT DATA		
Input AC rated voltage	Nominal: 120...240Vac	
Frequency	Range: 90...264Vac 47...63Hz	
Input DC rated voltage	110...345Vdc	
Input AC rated current Vin = 120Vac	1.5A	
Vin = 240Vac	0.8A	
Input DC rated current Vin = 110Vdc	1.5A	
Vin = 345Vdc	0.6A	
Power factor correction	Active / > 0.9	
Inrush peak current	≤ 30A	
Touch (leakage) current	≤ 0.5mA	
Internal protection fuse	Fuse 3.15AT (not user replaceable)	
Recommended external protection	Fuse 4AT or MCB 4A C curve It is strongly recommended to provide external surge arresters (SPD) according to local regulations.	
GENERAL DATA		
Efficiency	> 90.7%	
Dissipated power	< 15W	
Operating temperature ²	- 35°C...+ 70°C	
Derating	- 4.5W/°C over 50°C	
Storage temperature	- 40°C...+ 80°C	
Humidity	5...95% r.H. non condensing	
Life time expectation	69'000h (7.9 years) at 25°C ambient full load	
Overvoltage category	▪ EN50178	III
Pollution degree	▪ IEC60664-1	2
Protection Class	▪ CLASS	I
Input / output isolation	4.2kVdc	
Input / ground isolation	2.2kVdc	
Output / ground isolation	0.75kVdc	
Safety Standards	<ul style="list-style-type: none"> ▪ UL508 (pending) ▪ EN60950 (reference) ▪ EN50178 (reference) 	
EMC Emission	<ul style="list-style-type: none"> ▪ EN55011 (CISPR11) Class B ▪ EN55022 (CISPR22) Class B ▪ EN61000-3-2 Class A 	
EMC Immunity	<ul style="list-style-type: none"> ▪ EN61000-4-2 Level 3 ▪ EN61000-4-3 Level 3 ▪ EN61000-4-4 Level 4 ▪ EN61000-4-5 Level 4 ▪ EN61000-4-11 Level 2 	
Protection degree	▪ EN60529	IP20
Vibration sinusoidal	IEC 60068-2-6 (5-17.8Hz: ±1.6mm; 17.8-500Hz: 2g 2hours / axis (X,Y,Z))	
Shock	IEC 60068-2-27 (30g 6ms, 20g 11ms; 3 bumps / direction, 18 bumps total)	

Connection terminals	2.5mm ² , screw type pluggable (24...12AWG)
Case material	Aluminum
Weight	0.45kg
Size (W x H x D)	35.0 x 103.0 x 104.0mm
1) Ripple and Noise are measured with 20MHz bandwidth, probe terminated with a 0.1µF MKP parallel capacitor. 2) Start-up type tested: - 20°C, possible at nominal voltage with load deration.	
Notes: - Technical parameters are typical, measured in laboratory environment at 25°C and 240Vac / 50Hz, at nominal values, after minimum 5 minutes of operation. - Power rating, losses, efficiency, ripple, thermal behaviour and start-up may change outside of the nominal rated input range. Contact factory for details. - Data may change without prior notice in order to improve the product.	

DIMENSIONS



CONNECTION



Input Connection:

- Single phase:
- L = Line
 - N = Neutral
 - | = Earth ground
- DC:
- L = + Positive DC
 - N = - Negative DC
 - | = Earth ground

Output Connection:

- + = Positive DC
- - = Negative DC