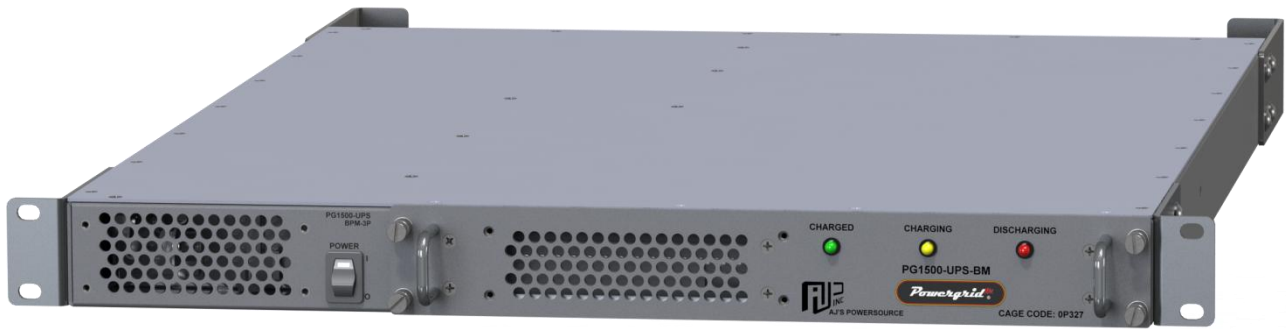


Document Number: 130211JL-1	Originator: Jon Landau	Date: May 30 th , 2019
-----------------------------	------------------------	-----------------------------------

Data Sheet
PG1500-UPS-BPM



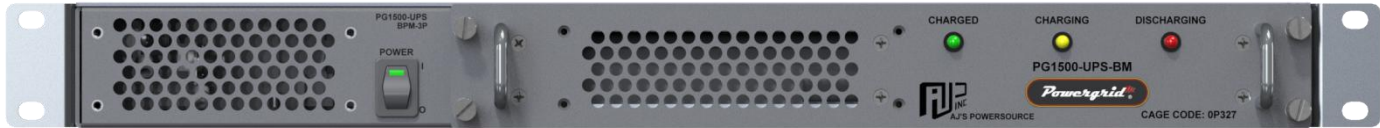
Document Number: 130211JL-1	Originator: / Sign:	Approved By: / Sign:
-----------------------------	---------------------	----------------------

Warning: This document may contain technical data whose export is restricted by the Arms Export Control Act (Title 22, U.S.C. Sec 2751, et seq.) or the Export Administration Act of 1979, as amended (Title 50, U.S.C., app. 2401 et seq.) Violators of these export laws are subject to sever criminal penalties.
Proprietary Data: The data disclosed in this document was originated in whole or in part by AJPS Inc. and is to be utilized only for the specific purposes for which it was supplied. It is not to be disclosed, transmitted or reproduced without the prior written consent of AJPS Inc.

Creation Date: 07 May 2012	Reference ECO:	Document Number Rev Level:
----------------------------	----------------	----------------------------

SPECIFICATION	VALUE	UNITS
Model: PG1500-UPS-BPM, 1U 1200W UPS Module		
AC Output		
Rated Voltage	120 Pure Sine Wave ($\pm 5\%$)	Volts
Frequency	60 ($\pm 0.25\%$)	Hertz
Rated Max. Current	10	Amps
Maximum Rated Power	1200	Watts
Phase	Single	
Total Harmonic Distortion	<5 (w/resistive load)	%
Run Time on Battery	10 - 12 (80% Load, zero below 0C)	Minutes
Transfer Time to Battery	Instant, On-Line conversion	
AC Input		
Voltage Range	100 - 240	Volts AC
Frequency Range	47 - 63	Hertz
Phase	Single	
Nominal Current	12	Amps AC
Inrush Current (typical)	50	Amps AC
Power Factor (typical)	>0.9	
Leakage Current	<3	mAmps AC
Efficiency (typical)	>80	%
Conversion	Double	
Battery		
Rating	48	Vdc
Capacity	5.7	Ah
Type	Lithium Iron Phosphate	
Hot-Swappable	Yes (when on AC Input)	
Replacement Time	Less than one minute	
Recharge Time	5 Hours to 95% after full discharge	
Front Panel Indicators		
Battery Status	Green=Charged, Yellow=Charging, Red=Discharging	
Switch LED	Green=Unit On	
Front Panel Control		
On/Off Switch	When on, enables UPS output function	
Protection		
Over Load	1.25 x Rated Current, Temperature Controlled 1.50 x Rated Current for Periods <20 Seconds	
Output Short Circuit	Auto recovery from short when abnormal is removed	
Over Temperature	Internally controlled at the inverter level	
AC Input Protection	Provided by the front end power supply stage	

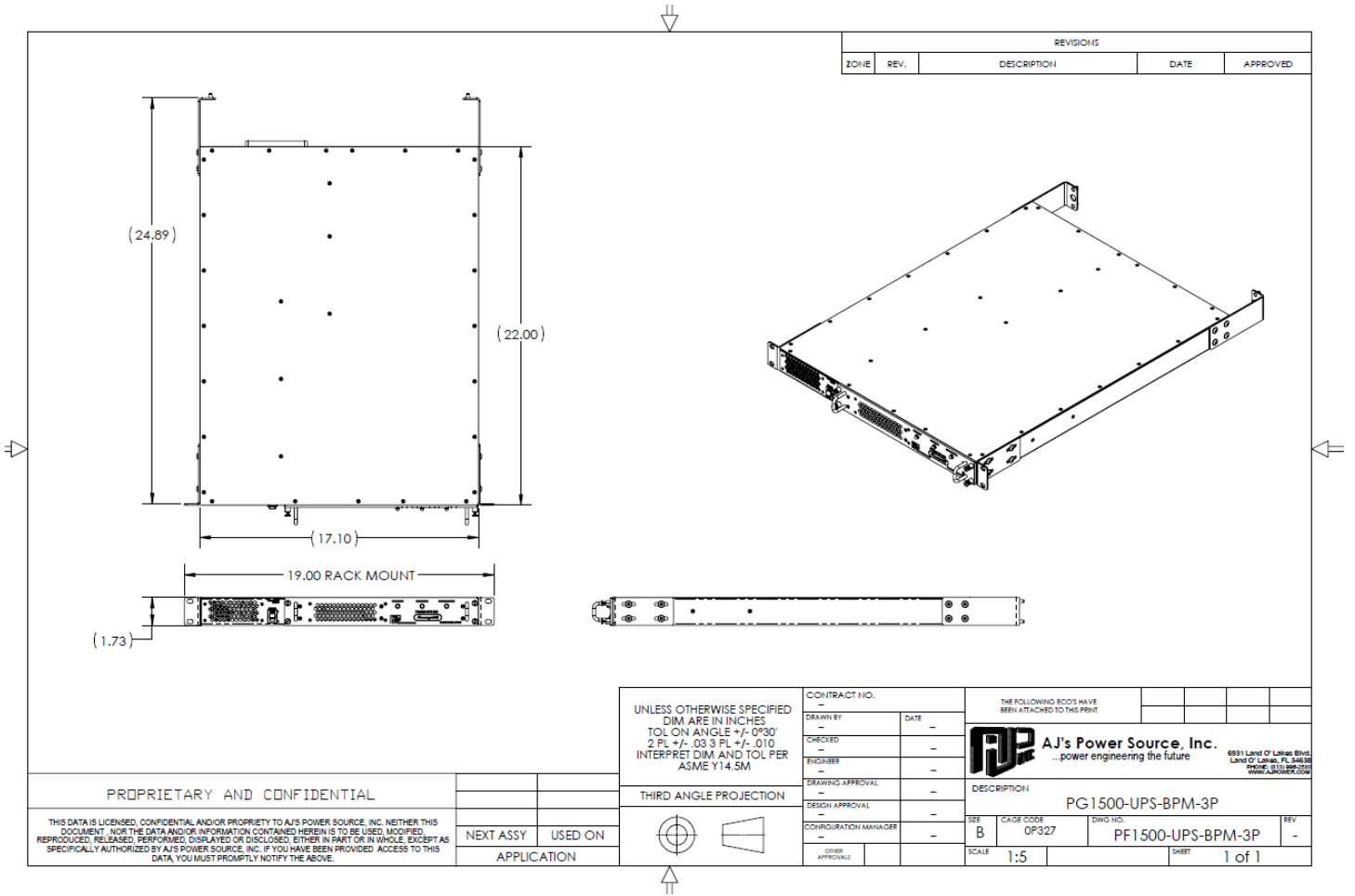
SPECIFICATION	VALUE	UNITS
Isolation		
AC Input to AC Output	Yes, Double	
Mounting		
	Front fixed brackets, rear brackets to mate with PowerGrid backplane	
Physical Properties		
Dimensions	1.73H x 17.1W x 22D	inch
Mounting	1U 19 Inch Rack (adjustable mounting depth)	
Weight	27	lbs.
Chassis Material	Aluminum	
Exterior Color/Finish	Aircraft Gray(FED-STD-595), textured paint, FS36300	
Interior Finish	Irridite finish (MIL-DTL-5541 TYPE II, CL3)	
Brackets Material/Finish	Aluminum/Irridite finish (MIL-DTL-5541 TYPE II, CL3)	



PG1500-UPS-BPM
 Front View



PG1500-UPS-BPM
 Rear View



PG1500-UPS-BPM
 Mechanical View
 (PG1500-UPS-BPM-3P version shown, PG1500-UPS-BPM same dimensions)