

Document Number: 130211JL-1	Originator: Jon Landau / MH	Date: April 28, 2021
-----------------------------	-----------------------------	----------------------

Data Sheet
PG1500-UPS-DC28



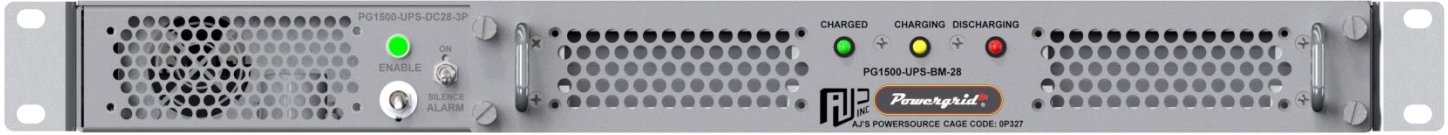
Document Number: 130211JL-1	Originator: / Sign:	Approved By: / Sign:
-----------------------------	---------------------	----------------------

Warning: This document may contain technical data whose export is restricted by the Arms Export Control Act (Title 22, U.S.C. Sec 2751, et seq.) or the Export Administration Act of 1979, as amended (Title 50, U.S.C., app. 2401 et seq.) Violators of these export laws are subject to sever criminal penalties.
Proprietary Data: The data disclosed in this document was originated in whole or in part by AJPS Inc. and is to be utilized only for the specific purposes for which it was supplied. It is not to be disclosed, transmitted or reproduced without the prior written consent of AJPS Inc.

Creation Date: 07 May 2012	Reference ECO:	Document Number Rev Level:
----------------------------	----------------	----------------------------

SPECIFICATION	VALUE	UNITS
Model: PG1500-UPS-DC28, 1U 1000W UPS Module		
DC Output		
Rated Voltage	28	Vdc
Rated Max. Current	36	Adc
Maximum Rated Power (1U)	1000	Watts
Run Time on Battery	10 - 12 (at 25°C, 80% Load, No backup output if internal batteries are at or below freezing (0°C/32°F))	Minutes
Transfer Time to Battery	Instant, On-Line conversion	
AC Input		
Voltage Range	100 - 240	Volts AC
Frequency Range	47 – 63	Hertz
Nominal Current	~12@120V	Amps AC
Inrush Current (typical)	100 (maximum)	Amps AC
Power Factor (typical)	>0.8	
Leakage Current	<4.0	mAmps AC
Efficiency (typical)	>80 (AC Input to DC Output)	%
Conversion	Double On-Line	
DC Input (from PG-BXM-24)		
Voltage Range	22 - 32V	Volts DC
Nominal Voltage	28V	Volts DC
Nominal Current	34A	Amps DC
Efficiency (typical)	≥84 @ 30Vdc / ≥82 @ 22Vdc	%
Conversion	Single	
Battery		
Rating	28	Vdc
Type	Lithium Iron Phosphate	
Replacement Time	Less than one minute	
Recharge Time	5 Hours to 95% after full discharge	
Front Panel Indicators		
Battery Status	Green=Charged, Yellow=Charging, Red=Discharging	
Switch LED	Green=Unit On	
Front Panel Control		
On/Off Switch	When on, enables UPS output	
Audible Alarm Disable	Toggle switch up enables audible alarm, toggle switch down silences audible alarm	

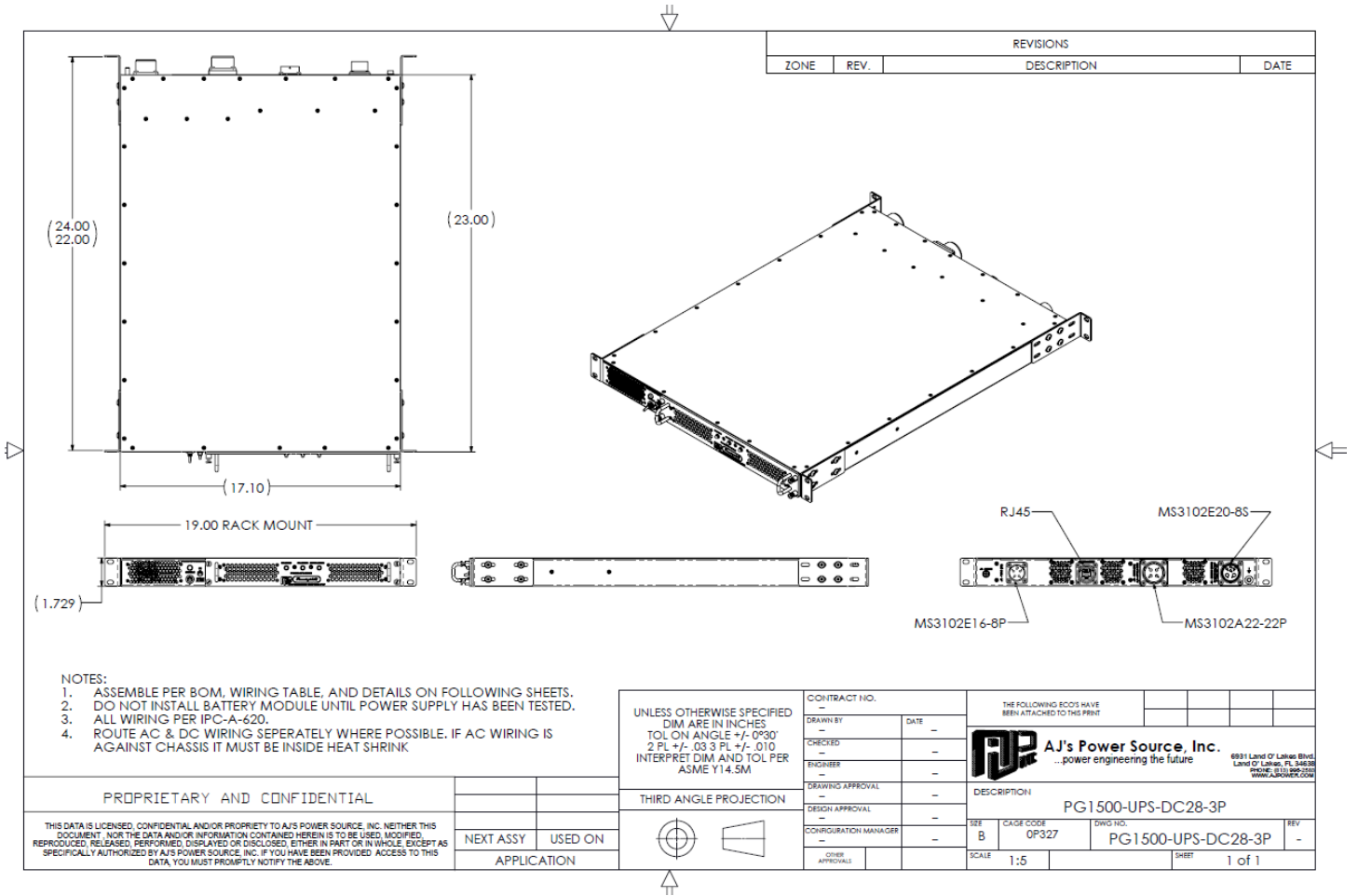
SPECIFICATION	VALUE	UNITS
SNMP v3	AC Input present, Battery Status (charged, charging, discharging), DC Output Active, Over Temperature	
Rear Connectors		
DC Output	1 x MS3102E20-8S, Pin A=+28V, Pin D=Return, Pin C=Sense+, Pin E=Sense-, Pins B&F=No Conn.	J3
DC Input (from PG-BXM-24)	1 x MS3102E22-22P, Pins A,D=+Vin, Pins B,C=Return	J2
AC Input	1 x MS3102E16S-10P, Pin A=Line, Pin B=Ground, Pin C=Neutral	J1
DC Synchronization	Load Share Sync connectors (cable supplied with unit) Allows two PG1500-UPS-DC28's to be paralleled	J4
Ethernet	RJ-45, standard Ethernet pin out (SNMP v3 communications)	J5
Emergency Cutoff	MS3102E12S-3S, Pin A = +V, Pin B = -V Contact closure Open = output enabled, Closed via external switch = output disabled	J6
Safety Ground Stud	¼ -20 Stud (Rear Panel)	
Protection		
Over Load	Yes	
Output Short Circuit	Yes	
Over Temperature	Yes	
AC Input Protection	Yes	
DC Input Protection	Yes	
Isolation		
AC Input to DC Output	Yes	
DC Input to DC Output	Yes	
Environmental		
Operating Temperature Range	-20 to +50*	°C
Storage Temperature Range	-40 to +72*	°C
Working Humidity	95 non-condensing*	%
Altitude	10, 000 (Operating) / 40,000 (Non-Operating)*	feet
Fungus	MIL-STD-810G, method 508*	
Sand and Dust	MIL-STD-810G* (w/Optional Filters)	
Vibration	MIL-STD-810G*	
Functional Shock	MIL-STD-810G*	
Color/Finish	Gray Textured Finish	
EMI	MIL-STD-461F (CE102, RE102) *	
	* Designed to meet, lab testing required.	



PG1500-UPS-DC28
Front View



PG1500-UPS-DC28
Rear View



PG1500-UPS-DC28
Mechanical Drawing
(PG1500-UPS-DC28-3P shown, input connector different)